

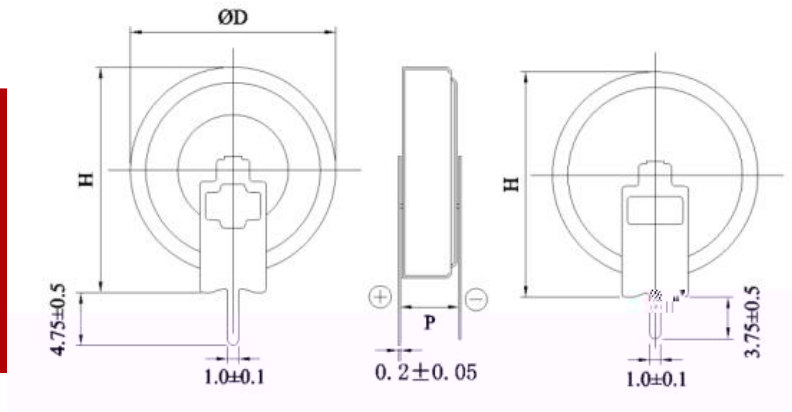
### Terminal: H

Size:

Items	Criteria	Items	Criteria

Packing:

Part Number	Quantity (pcs)		Dimension (LxWxH) mm		Total weight



### Terminal: V

Size:

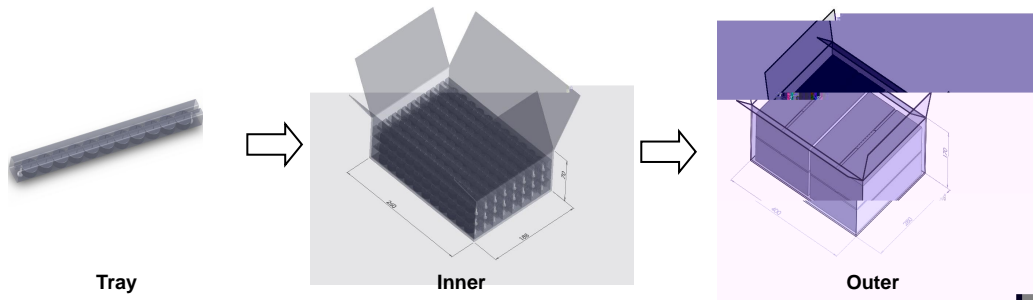
Items	Criteria	Items	Criteria

Packing:

Part Number	Quantity (pcs)		Dimension (LxWxH) mm		Total weight



❖ Packing method



❖ How to order

GTSE-5R5-104ZC/H/V 1000pcs



❖ Handling Precautions and Guidelines

1 Precautions

2 Application Guidelines