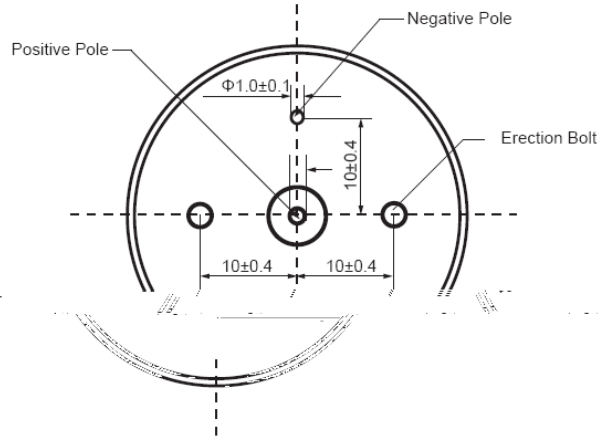
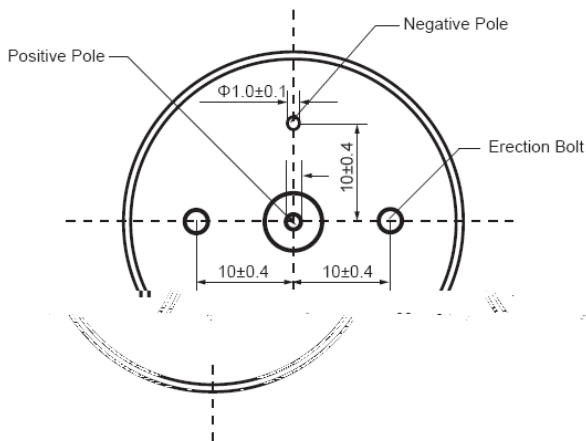
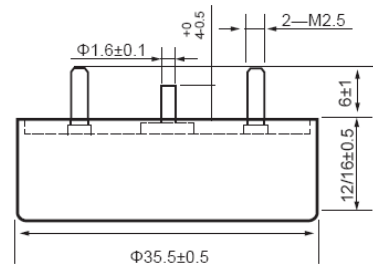
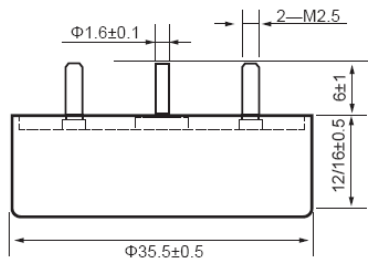




All tantalum case, hermetic sealed, Cylindrical, radial leads, Polar, with screws, convenient to fix
 This product is made up of tantalum capacitor and electrochemical capacitor
 Stable electric performance, high reliability, long life, large energy density per unit volume,
 Store much energy. Capacitance larger than THC1W.
 Used as battery in Energy conversion circuit and power pulse circuit, Perform Energy storage,
 filter, power-off delay in circuit.
 Standard: QJ/PWV304-2008

μ

Temperature range: -55 ~+125 85 use derated voltage
 Store environment temperature: -62 ~+130
 Capacitance tolerance: M=±20% Q=-10%~+30%
 Electric performance: see table1



THC2W Φ36x12/16outline (A)
 Unit:mm

THC2W Φ36x12/16outline (B)
 Unit:mm



Rated Voltage (V)	Derated Voltage (V)	Surge Voltage V	Capacitance μ F	tg (%) 100HZ	ESR 1KHZ	Leakage current/ μ A	capacitance	capacitance
-------------------	---------------------	-----------------	---------------------	--------------	----------	--------------------------	-------------	-------------

- 1, Tantalum capacitors can't been measured by multimeter (Easily cause irreversible damage and lead to reject)
- 2, Capacitance, DF measure frequency: 100Hz,DC offset voltage $U.=2.2^{0}_{-1.0}V$, Exchange offset voltage $U.=1.0^{0}_{-0.5}V$ (effective value), measure method is by series equivalent circuit.
- 3, Measure the leakage current above 125 ,please use derated voltage. DLC read within 5 minute.
- 4, Special size and big capacitance products, please negotiate with us