



C

E

G E-5 5-105 C/H/

G C .,L .



❖ F

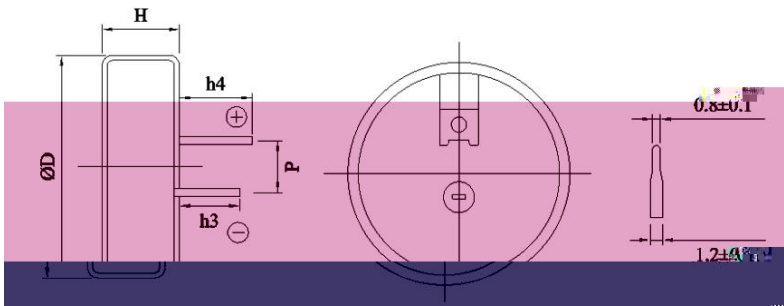
❖ A

❖ G C



I	C

❖ D



: C

I	C	I	C

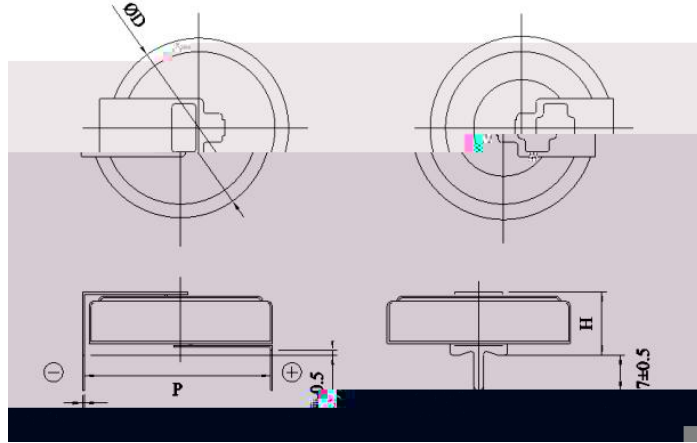
N	()		D	(L H)



C

E

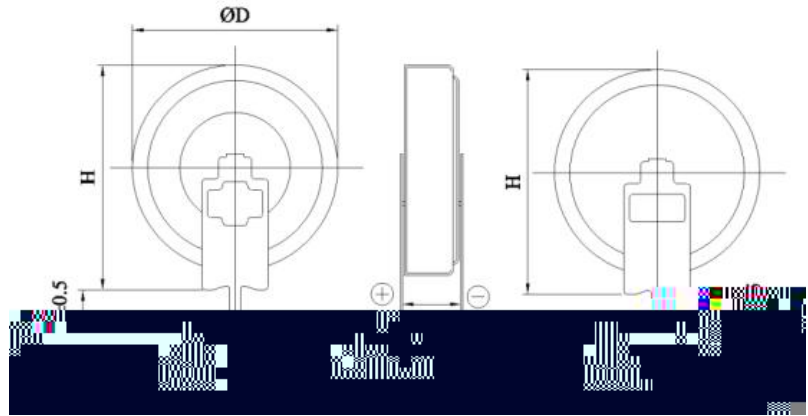
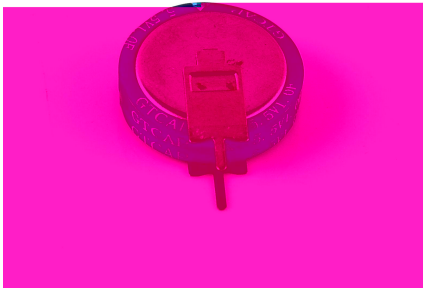
G E-5 5-105 C/H/



: H

I	C	I	C

N	()		D	(L H)



:

I	C	I	C

N	()		D	(L H)

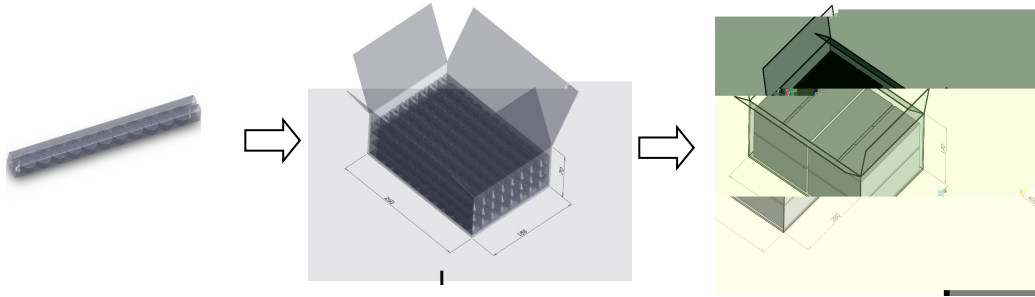


C

E

G E-5 5-105 C/H/

❖



❖ H

G E-5 5-105 C/H/ 1000

❖ H

G

1

2 A

G